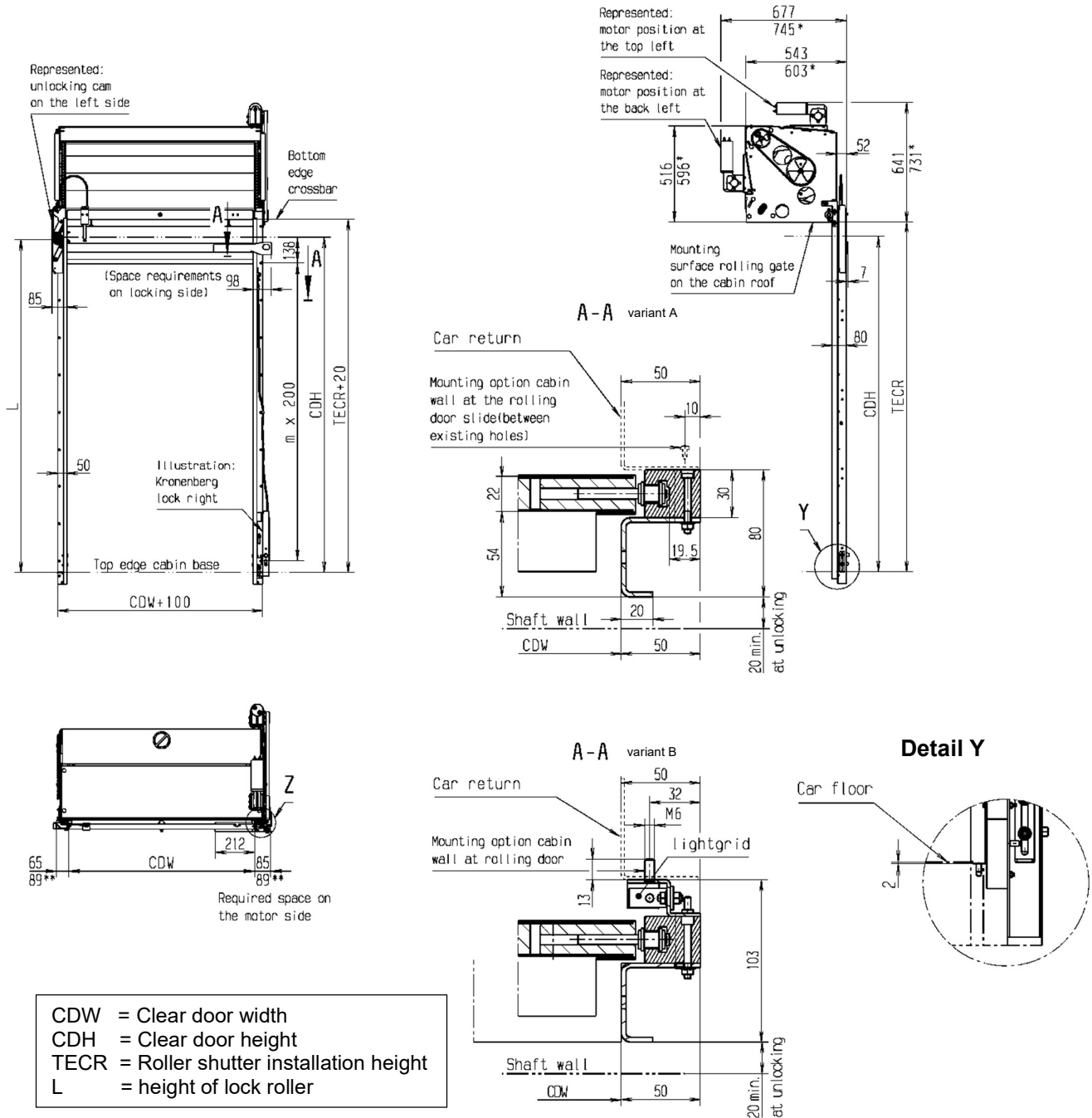


## Roller Shutter Lift Car Door with torsion spring GENIUS® Plus



\* if CDW>2800 or TECR>2580

\*\* if CDW>2800

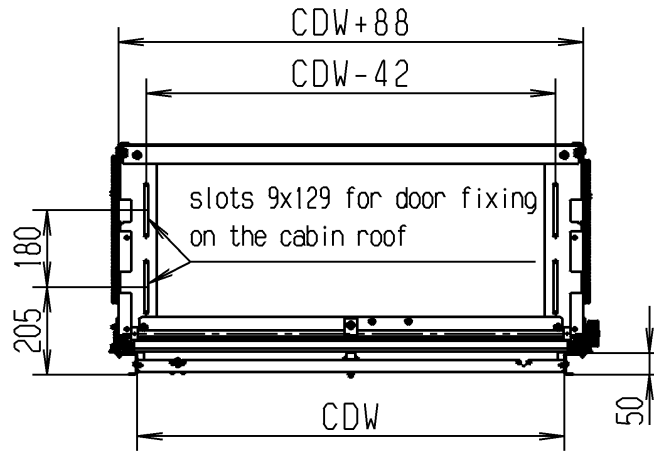
### Possible motor positions:

- left, motor position at the top or at the back
- right, motor position at the top or at the back

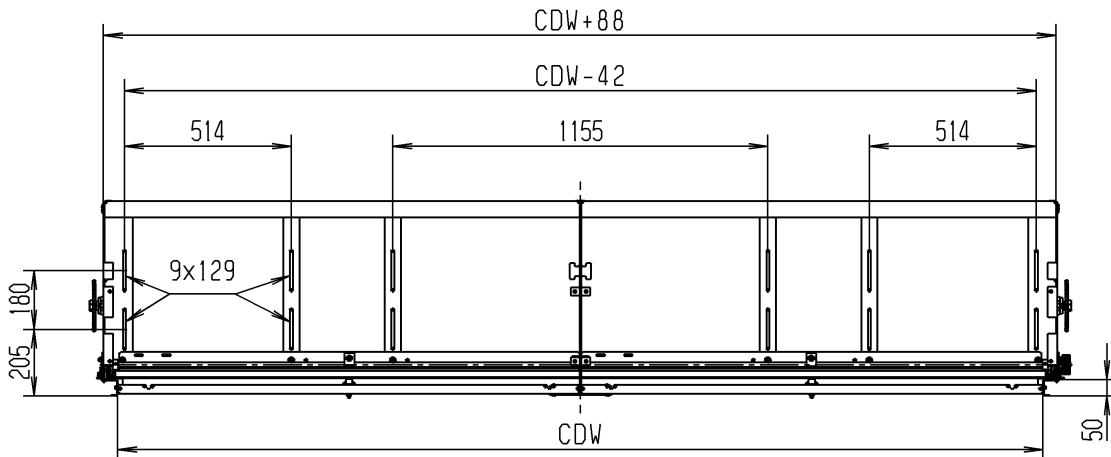
For Safety edge observe 8200 3006 278 part 2

Changes in dimensions reserved

**Top view represented without hang-on parts /  $CDW \leq 2800$**

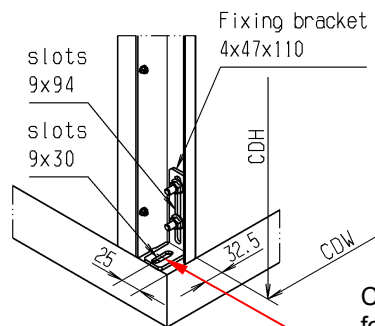


**Top view represented without hang-on parts /  $TB > 2800$**



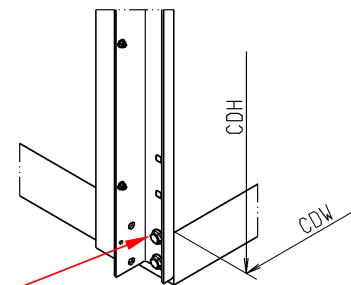
**Detail Y (standard)**

Guide profile shortened locally and bolted to the floor of the car.



**Detail Y (alternative)**

Guide profile screwed to the side of the floor of the car.



Connecting screws for the floor of the car (not included in delivery) drilled on site

Fastening hole pattern for the entrance return, variant B

