

www.meiller-aufzugtueren.de



VERTICAL DOORS



PREMIUS[®] S4*i* Lifting Gate

PREMIUS® S4i Lifting Gate

Vertical landing door
for goods and vehicle lifts

VERTICAL



DOORS



Landing door PREMIUS® S4i – suitable also for exterior applications.

PREMIUS® S4i – ideal for restricted spaces; easy to install

The new, powered vertical landing door from MEILLER is the optimum retrofit solution for goods and vehicle lifts in situations where only little space is available to the sides of the car.

PREMIUS® S4i is an upwardly telescopic, four-panel vertical landing door, which makes it a great replacement for many swing doors as well as four-panel folding landing doors - both hand-operated and motorised.

The system features MEILLER's new **MiDrive** door drive system.

When installed in combination with the MEILLER **PREMIUS® K4i** vertical car door, both doors are optically coupled, which enables them to communicate with each other. This ensures that the car door always 'knows' which landing door it is currently adjacent to. Thanks to the MiDrive's new *Servo mode*, it only takes a small force to slide open even a very large **PREMIUS® S4i** door in conjunction with a **PREMIUS® K4i** door in the event of an emergency release, as the motion is aided by the motor.

PREMIUS® S4i is an alternative for new lift installations where space is at a premium, as it requires only minimal lateral dimensions.

Door panels from sheet steel, available in all RAL colours on request.

MEILLER Premium® S4i lifting gate – an intelligent solution

Vertical door benefits:

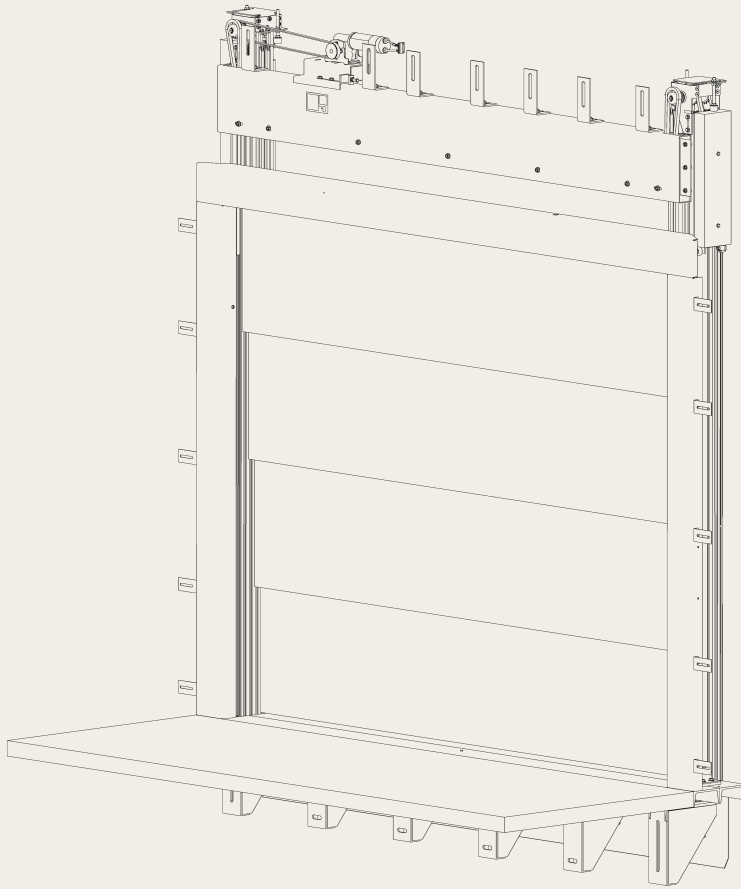
- No risk of crushing at the sides
- Extremely solid sill, double U support, ideal for forklifts
- Easy to install
- **PREMIUS® S4i** is compliant with EN 81-20

Door drive benefits:

- Intelligent **MiDrive** concept
- Fast and easy commissioning with smartphone app:
Simply scan the QR code to configure the drive with perfectly coordinated parameters
- Optimised motor performance results in demonstrable increase in drive efficiency
- CANopen interface as standard
- Protection class IP 54 as standard
- Optical coupling of two drive units (landing and car door) possible (master-slave controller)
- Eco and EcoPlus energy-saving modes as standard
- Sophisticated energy management system that controls energy consumption
- Electric interlock activation - no separate power supply
- Standard servo mode supports opening of large and heavy doors
- Condition monitoring: lifetime data is logged to provide information on door condition



PREMIUS® S4i Lifting Gate – Dimensions



Door model

PREMIUS® S4i lifting gate

Door width

DW = 1000 - 3000 mm

Door height

DH = 2000 - 4000 mm



Meiller Aufzugtüren GmbH

Ambossstraße 4
80997 München

Phone: +49 89 1487 – 0

Fax: +49 89 1487 – 1566

E-Mail: info@meiller-aufzugtuere.de

www.meiller-aufzugtuere.de



MADE IN GERMANY